

Adapters



DC-4 GHz

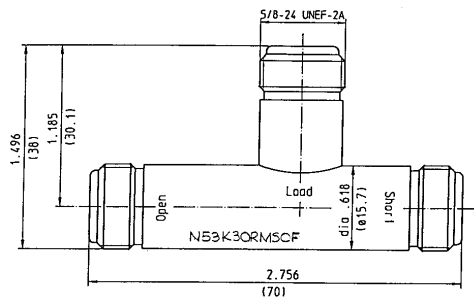
FIELD CALIBRATION FIXTURES

- Field Calibration of Wireless Test Equipment

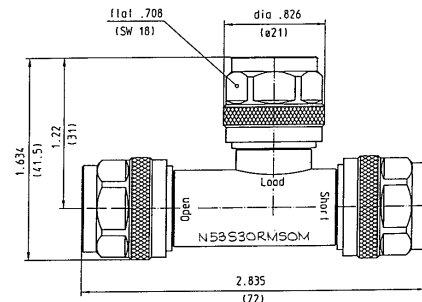
SPECIFICATIONS

MODEL	CONNECTOR	OPEN/SHORT REFLECTION COEFFICIENT	LOAD	POWER HANDLING (max)
N53K30RMSOF	N FEMALE	-0.05 dB to 4 GHz	-40 dB to 4 GHz	1.0
N53S30RMSOM	N MALE	-0.06 dB to 4 GHz -0.05 dB to 4 GHz	-40 dB to 4 GHz	1.0
N60K30RMSOF	7/16 FEMALE	-0.10 dB to 4 GHz -0.05 dB to 4 GHz	-40 dB to 2 GHz	1.0
N60S30RMSOM	7/16 MALE	-0.10 dB to 4 GHz -0.05 dB to 4 GHz	-40 dB to 2 GHz	1.0

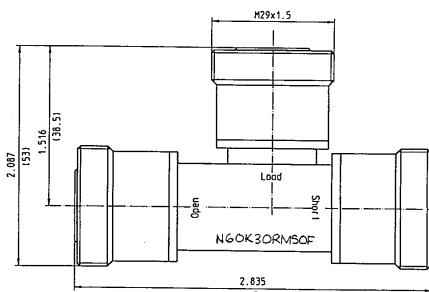
OUTLINE DRAWINGS



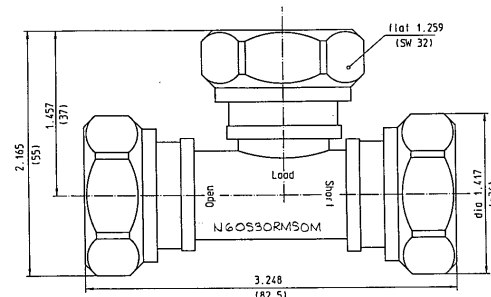
Model No. N53K30RMSOF



Model No. N53S30RMSOM



Model No. N60K30RMSOF



Model No. N60S30RMSOM